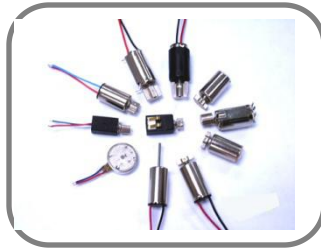




# 乐清市淡溪吉飞机电厂

JiFei Holding Limited





## About Us

Ji Fei Holding Limited is specialized in micro motor used for mobile phone, pager, toy car, electric toothbrushes and so on.

Being export since 2002, we have been establish business relationship with customer all over the world and can easily meet customers's requirement and offer our best service to conclude the business in lowest price but best satisfaction .

Except the vibration motor we can also manufacture punching mould , electric bike switch and mobile shield .

Our current annual production capacity for vibration motor is 80 million pieces per year.

Product series include cylindrical DC motors 0308, 0408, 0410, 0412, 0610, 0612, 0614, 0716; coin motors 0720, 0820, 0825, 0827 , 0830, 0834, 1020, 1026, 1027, 1030, 1034, 1036, 1227, 1230, 1234, 1260 ; SMT motors 0304; Linear motor 0832 and BLDC motor 0625, 0825.

All the motor can customized by different wire, rubber, bracket, voltage, current, speed and other special requirement you may have.

Your satisfaction will be our best honor.



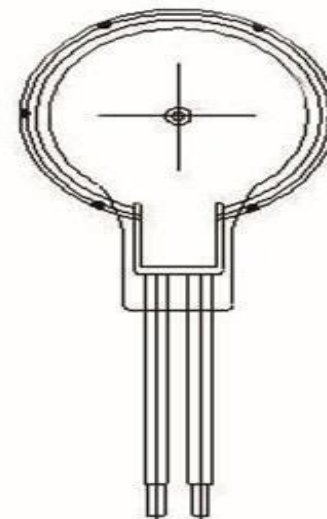
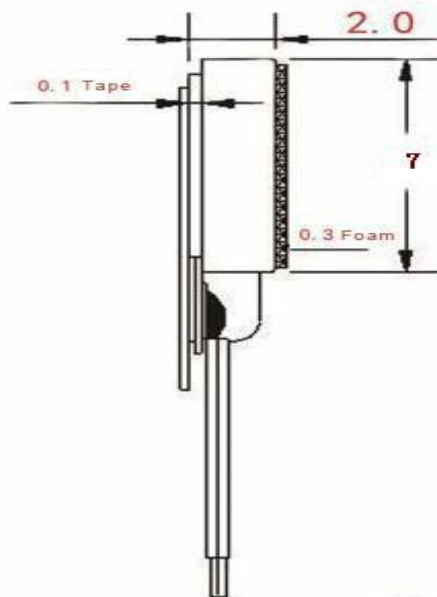
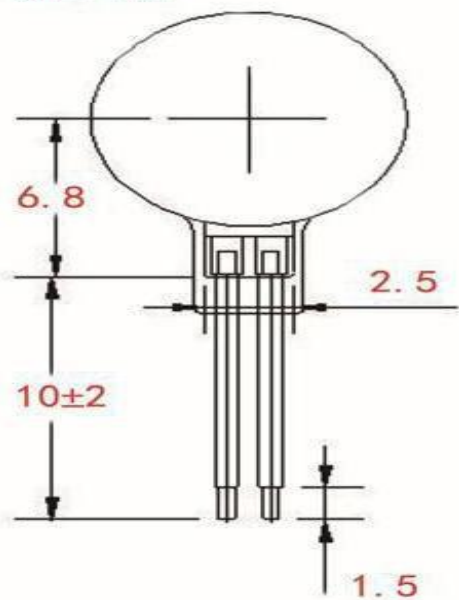
目录  
Contents

Coin Motor	Page 3-14
Cylindrical Motor	Page 15-28
Drive Motor	Page 29-36
SMT Motor	Page 37-41
Linear Motor	Page 42-43
Others	Page 43-45



Model	Rated Voltage (V)	Start Voltage (V)	Rated Speed (Rpm)	Rated Current (mA)	Starting Current (mA)	Armature Resistance (Ohm)	Operating Voltage (V)
C0720	3.0	2.3	12000±2500	80	120	10	2.7~3.3

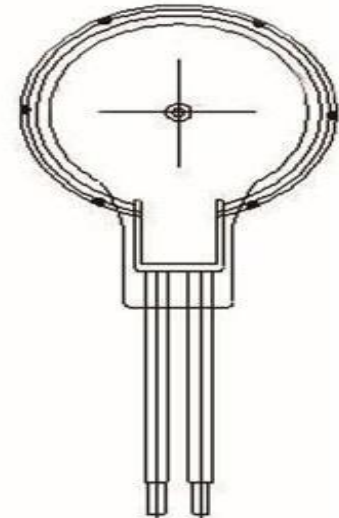
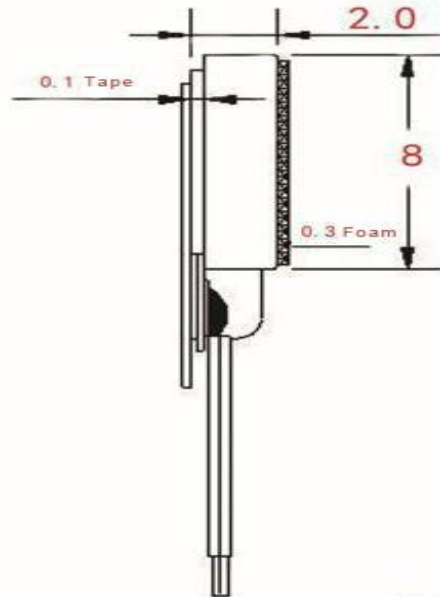
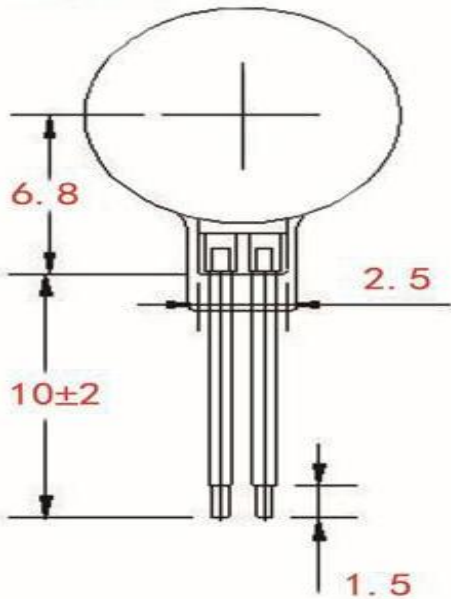
Remarks: Leading wire is optional.  
Unit: mm





Model	Rated Voltage (V)	Start Voltage (V)	Rated Speed (Rpm)	Rated Current (mA)	Starting Current (mA)	Armature Resistance (Ohm)	Operating Voltage (V)
C0820	3.0	2.3	12000±2500	80	120	10	2.7~3.3

Remarks: Leading wire is optional.  
Unit: mm



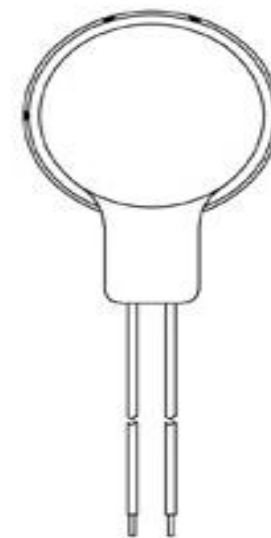
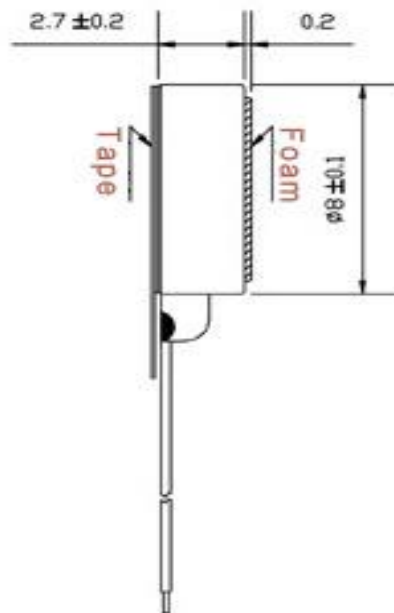
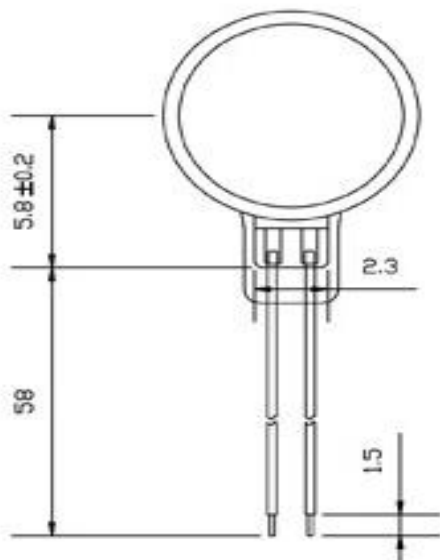


Model	Rated Voltage (V)	Start Voltage (V)	Rated Speed (Rpm)	Rated Current (mA)	Starting Current (mA)	Armature Resistance (Ohm)	Operating Voltage (V)
C0827	3.0	2.3	12000±2500	80	120	10	2.7~3.3

**Remarks:**

All unit:mm

Wire can be customized

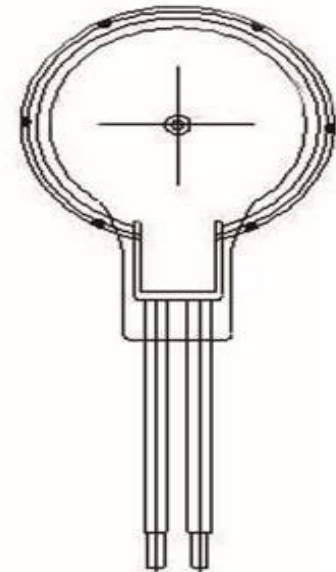
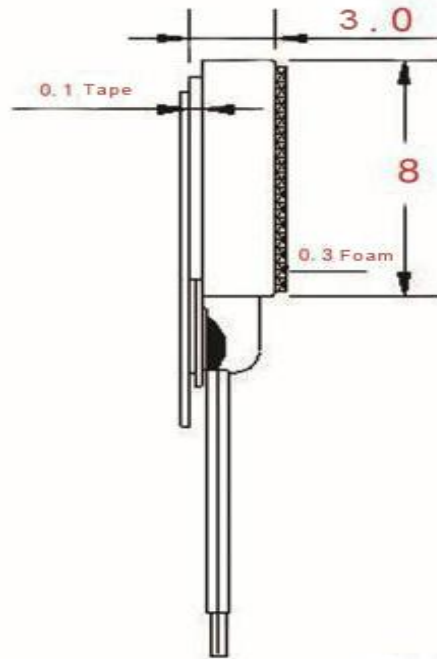
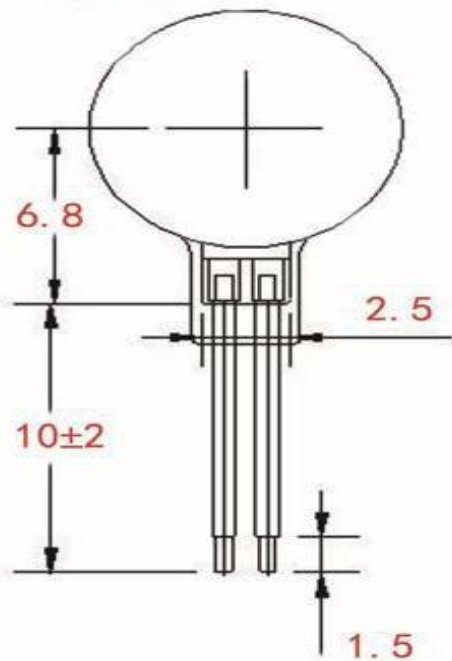


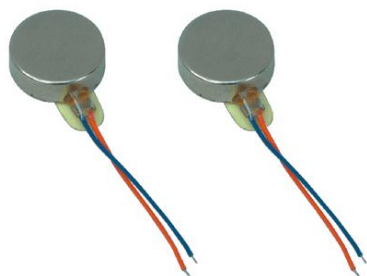


Model	Rated Voltage (V)	Start Voltage (V)	Rated Speed (Rpm)	Rated Current (mA)	Starting Current (mA)	Armature Resistance (Ohm)	Operating Voltage (V)
C0830	3.0	2.3	12000±2500	80	120	10	2.7~3.3

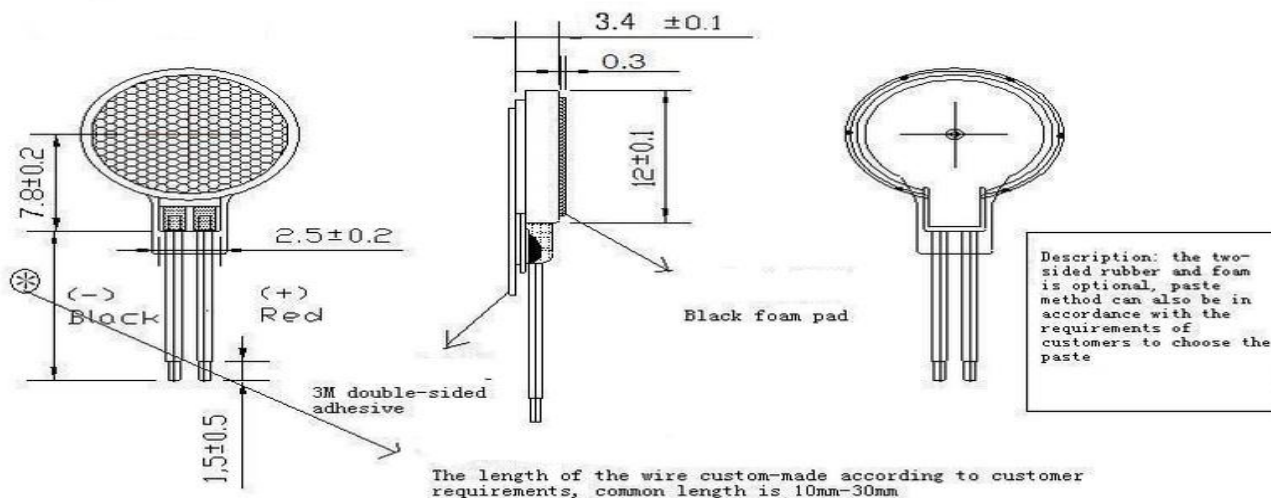
Remarks: Leading wire is optional.

Unit : m m





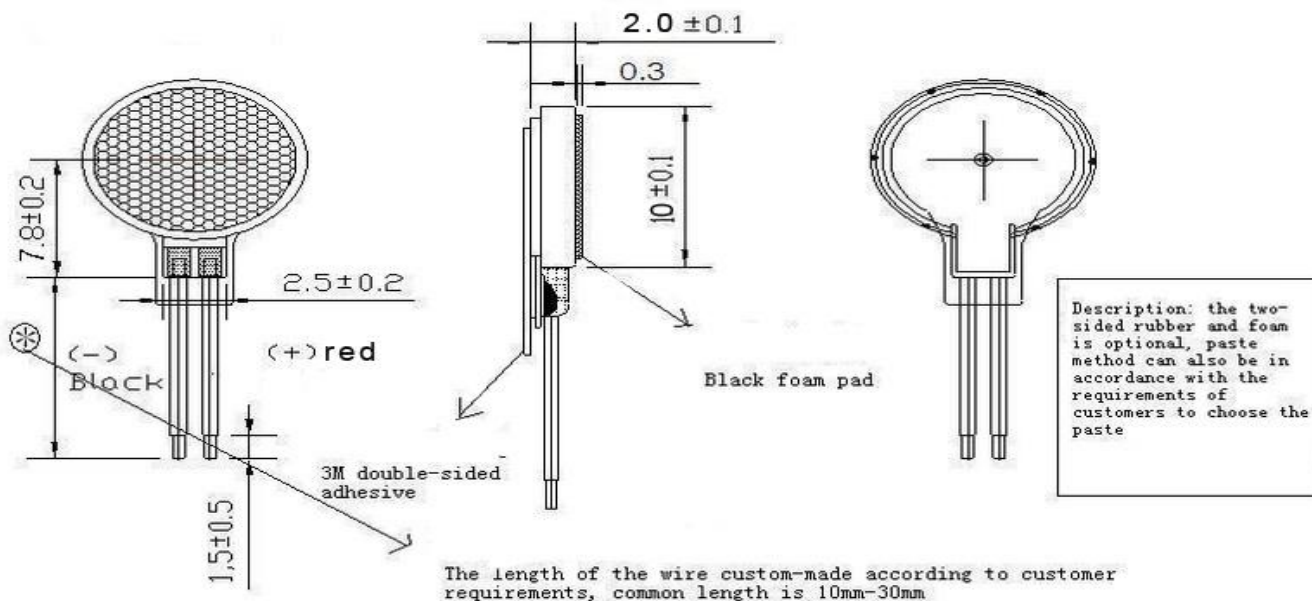
Model	Rated Voltage (V)	Start Voltage (V)	Rated Speed (Rpm)	Rated Current (mA)	Starting Current (mA)	Armature Resistance (Ohm)	Operating Voltage (V)
C0834	3.0	2.3	8000±2500	80	140	10	2.7~3.3

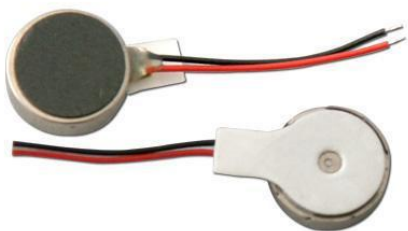




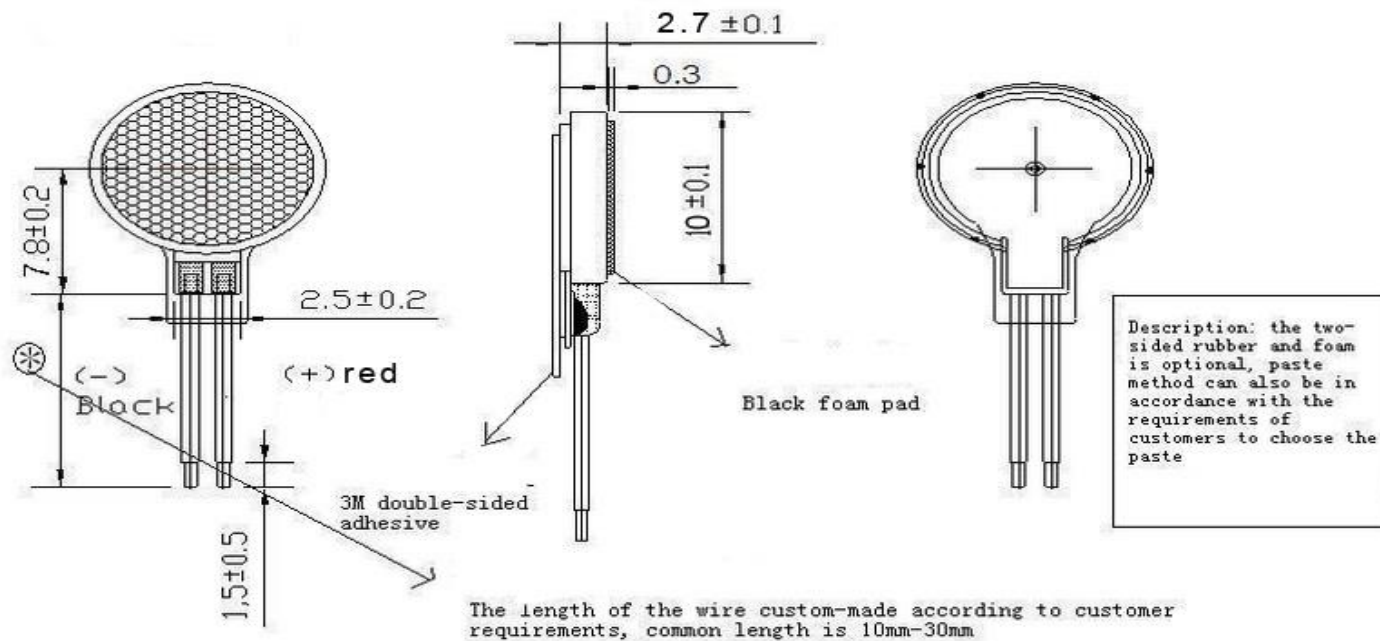


Model	Rated Voltage (V)	Start Voltage (V)	Rated Speed (Rpm)	Rated Current (mA)	Starting Current (mA)	Armature Resistance (Ohm)	Operating Voltage (V)
C1020	3.0	2.3	8000±2500	80	140	10	2.7~3.3



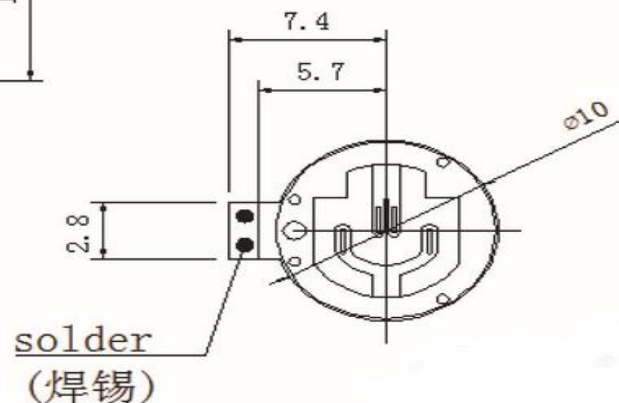
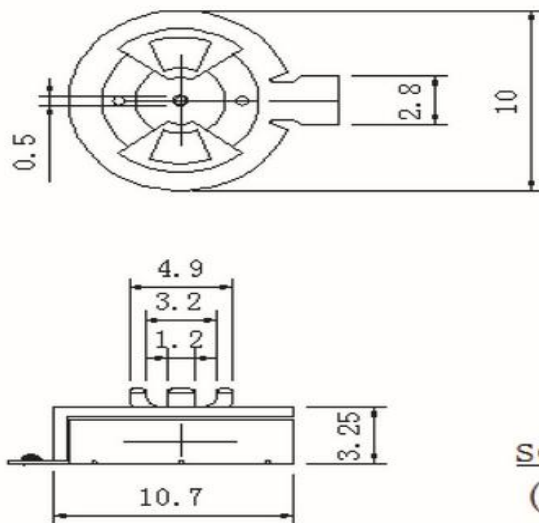


Model	Rated Voltage (V)	Start Voltage (V)	Rated Speed (Rpm)	Rated Current (mA)	Starting Current (mA)	Armature Resistance (Ohm)	Operating Voltage (V)
C1027	3.0	2.3	11000±2500	80	140	10	2.5~4.0



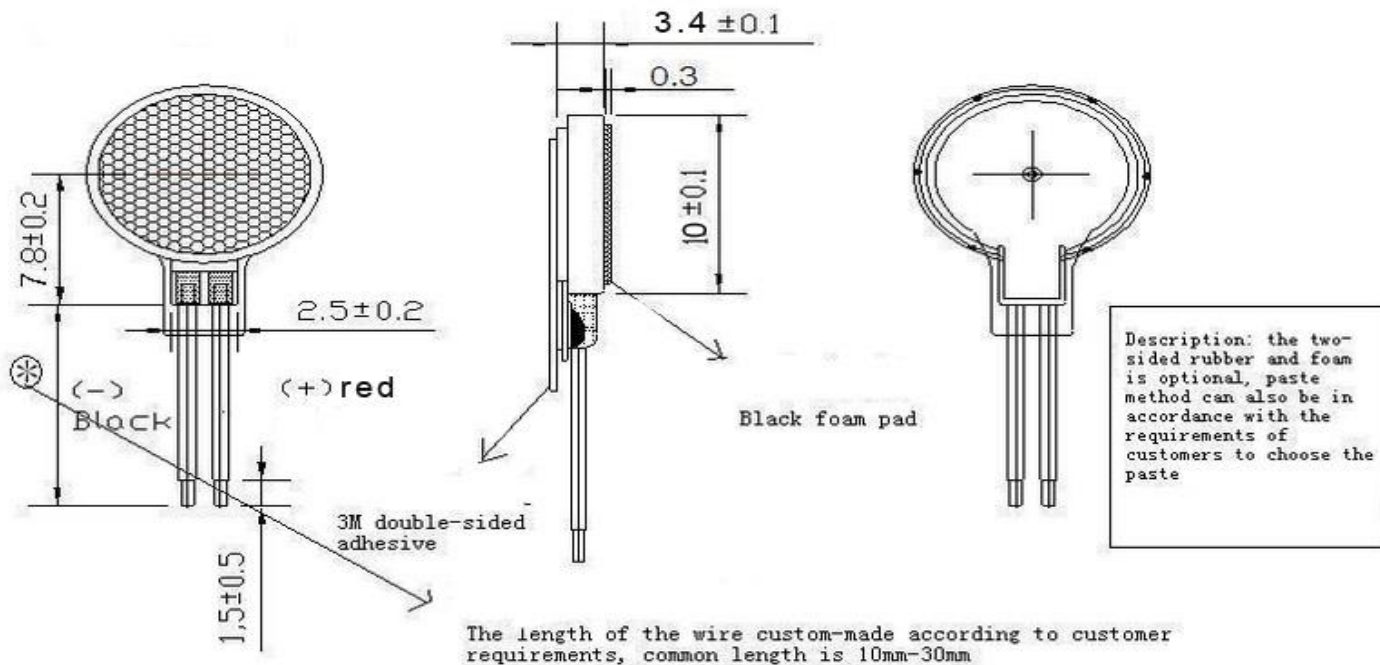


Model	Rated Voltage (V)	Start Voltage (V)	Rated Speed (Rpm)	Rated Current (mA)	Starting Current (mA)	Armature Resistance (Ohm)	Operating Voltage (V)
C1027-TP	3.0	2.3	12000±2500	80	120	10	2.7~3.3





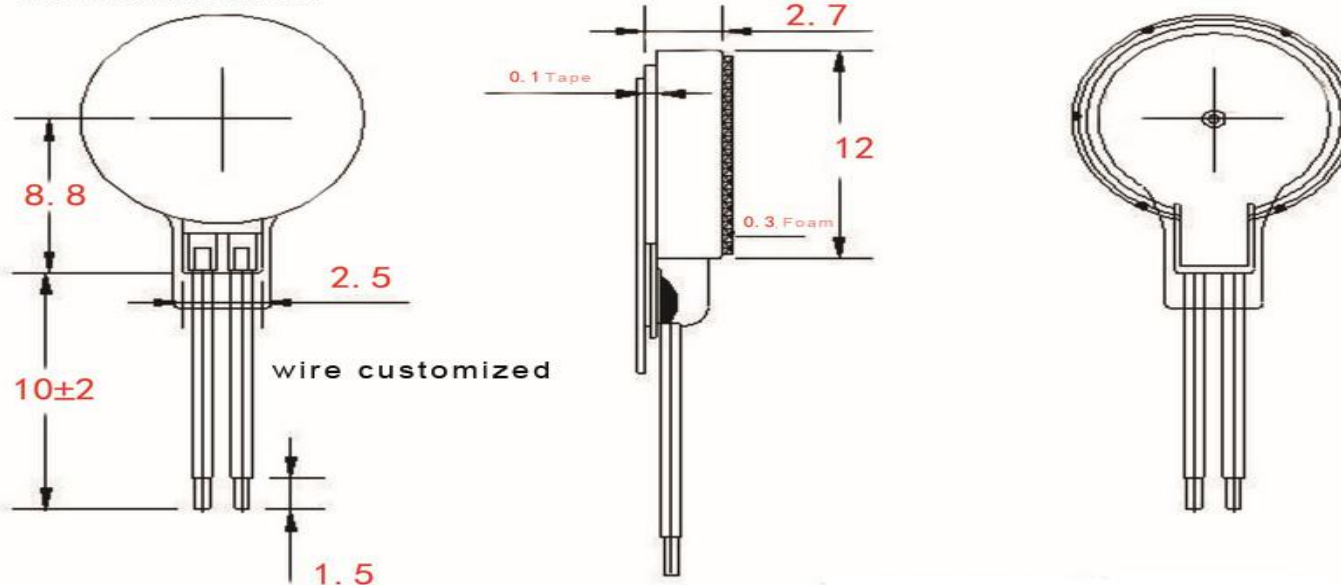
Model	Rated Voltage (V)	Start Voltage (V)	Rated Speed (Rpm)	Rated Current (mA)	Starting Current (mA)	Armature Resistance (Ohm)	Operating Voltage (V)
C1034	3.0	2.3	10000±2500	80	140	10	2.5~4.0





Model	Rated Voltage (V)	Start Voltage (V)	Rated Speed (Rpm)	Rated Current (mA)	Starting Current (mA)	Armature Resistance (Ohm)	Operating Voltage (V)
C1227	3.0	2.3	10000±2500	80	140	10	2.5~4.0

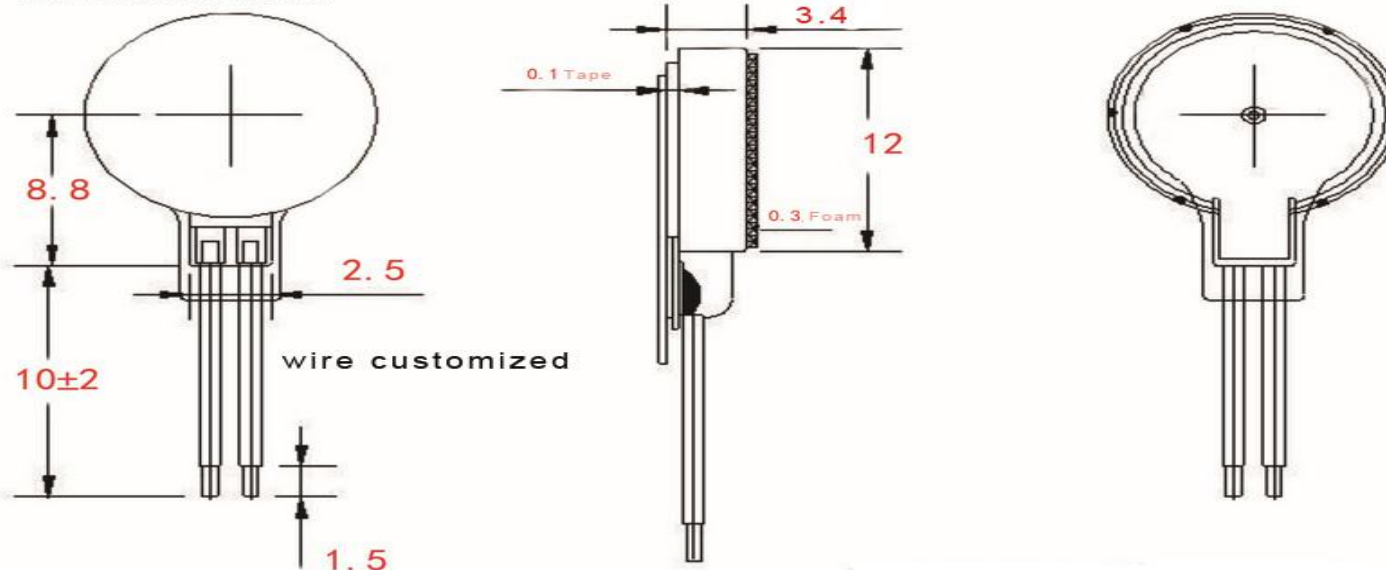
Remarks: Unit: mm





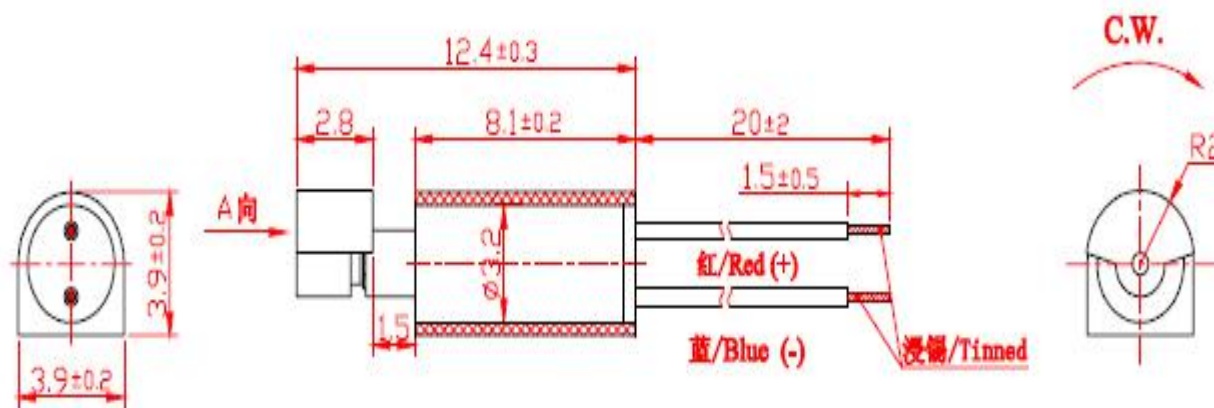
Model	Rated Voltage (V)	Start Voltage (V)	Rated Speed (Rpm)	Rated Current (mA)	Starting Current (mA)	Armature Resistance (Ohm)	Operating Voltage (V)
C1234	3.0	2.3	10000±2500	80	140	10	2.5~4.0

Remarks:Unit:mm



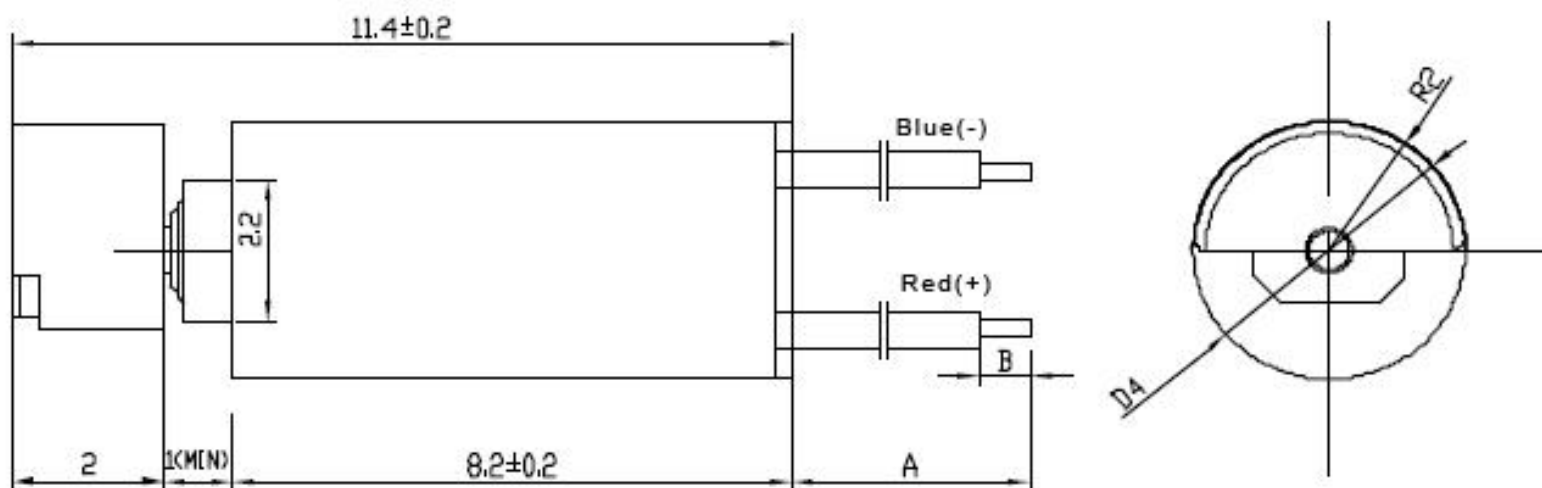


Model	Rated Voltage (V)	Start Voltage (V)	Rated Speed (Rpm)	Rated Current (mA)	Starting Current (mA)	Armature Resistance (Ohm)	Operating Voltage (V)
Z0308-JT	3.0	2.4	13000±2500	100	120	30	2.2~3.6





Model	Rated Voltage (V)	Start Voltage (V)	Rated Speed (Rpm)	Rated Current (mA)	Starting Current (mA)	Armature Resistance (Ohm)	Operating Voltage (V)
Z0408-DX	3.0	2.0	12000±2500	80	100Max	40	2.4~3.6

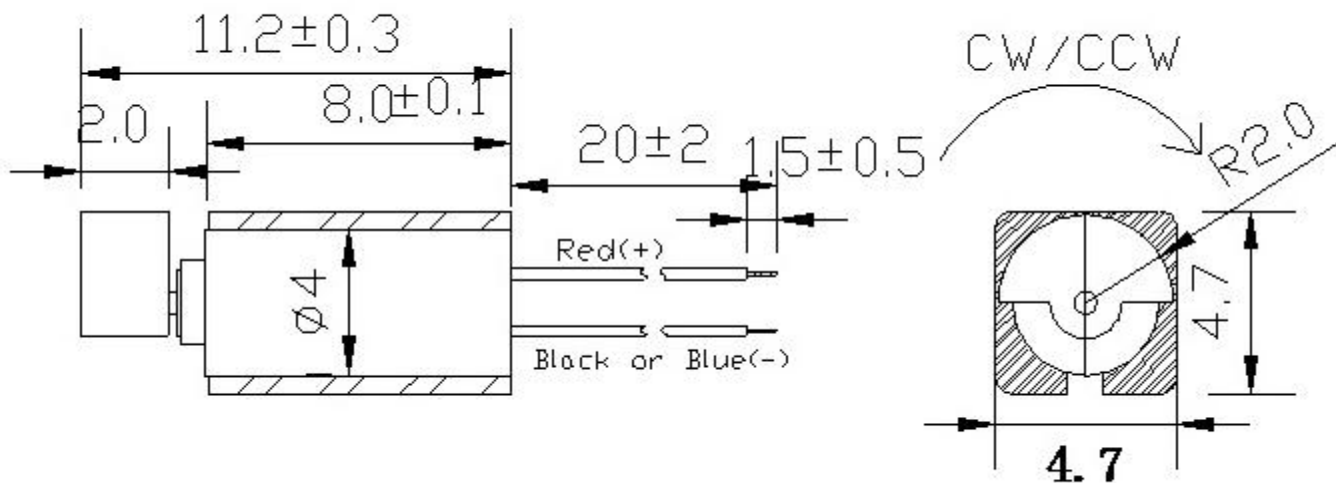


Remarks: 1. voltage, weight, leading wire, rubber or bracket is optional.



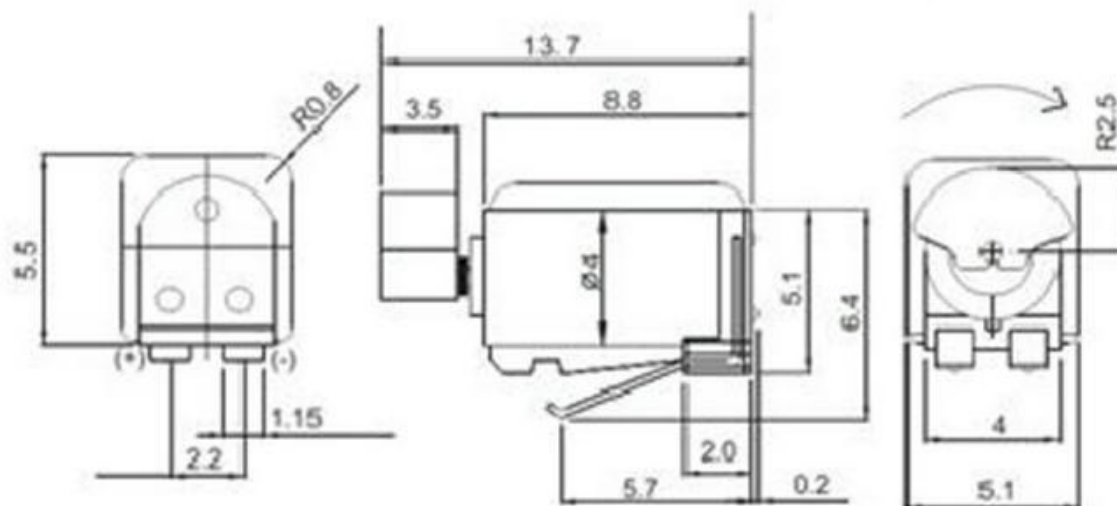


Model	Rated Voltage (V)	Start Voltage (V)	Rated Speed (Rpm)	Rated Current (mA)	Starting Current (mA)	Armature Resistance (Ohm)	Operating Voltage (V)
Z0408-JT	1.3	1	9000±2500	110	130	11	1.1~1.6
Z0408-JT	3.0	2	11000±2500	80	100Max	29	2.0~4.0





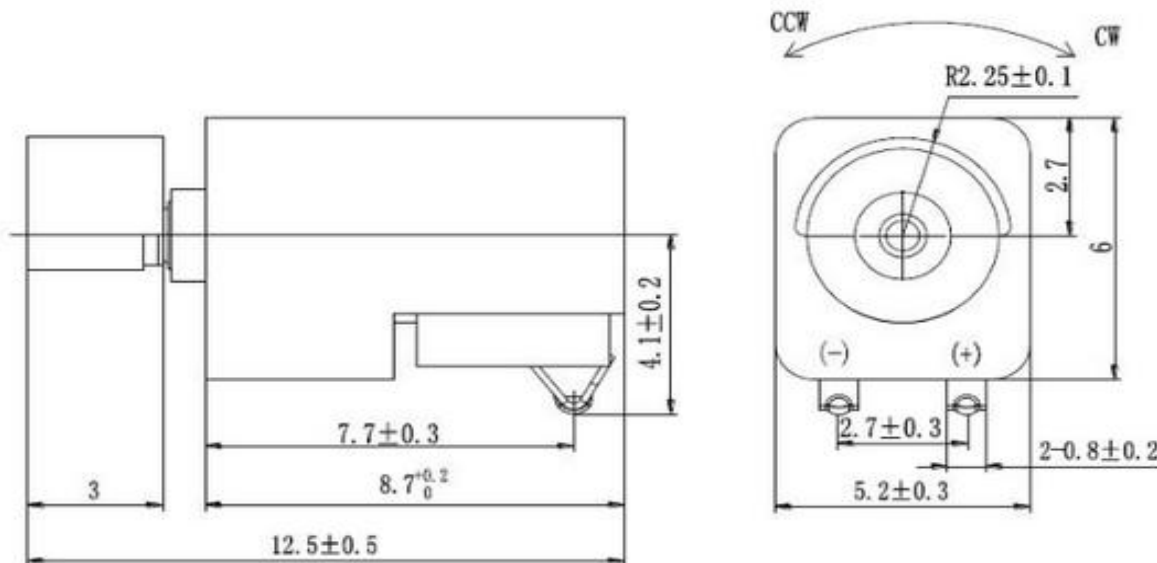
Model	Rated Voltage (V)	Start Voltage (V)	Rated Speed (Rpm)	Rated Current (mA)	Starting Current (mA)	Armature Resistance (Ohm)	Operating Voltage (V)
Z0408-TP-Q	1.3	0.8	12000±2500	90	110	11	0.8~1.8
Z0408-TP-Q	3.0	2.0	13000±2500	90	120	40	1.6~3.6



Remarks: Rubber or bracket is optional

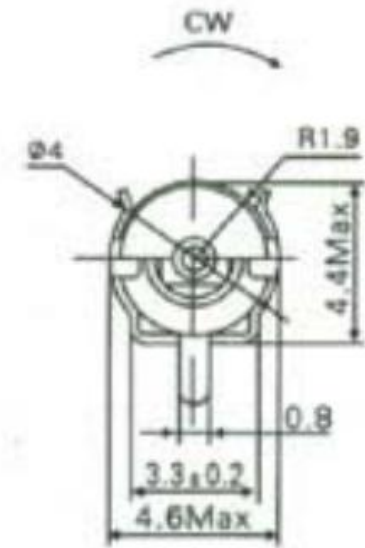
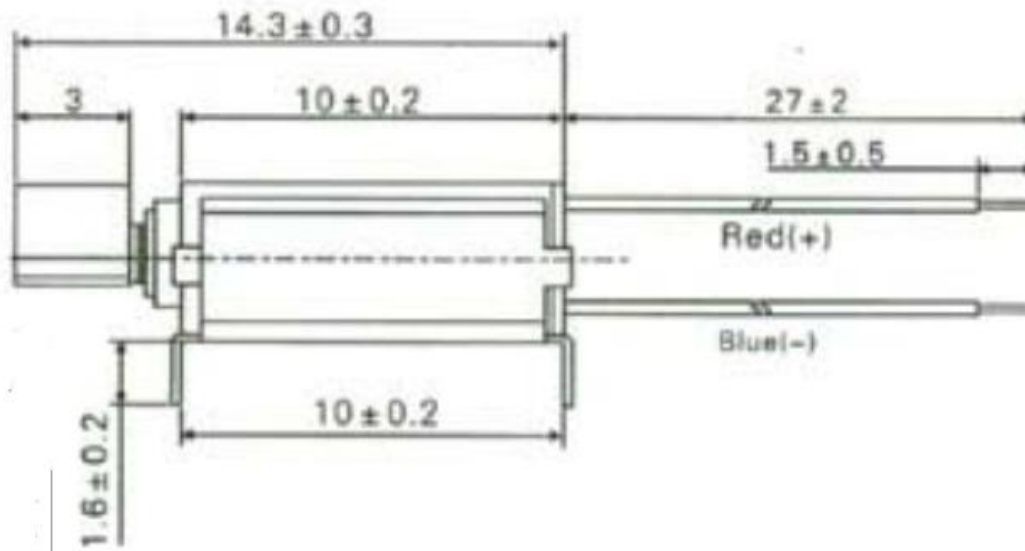


Model	Rated Voltage (V)	Start Voltage (V)	Rated Speed (Rpm)	Rated Current (mA)	Starting Current (mA)	Armature Resistance (Ohm)	Operating Voltage (V)
Z0408-TP	3.0	0.8	13000±2500	90	120	35	2.0~3.7



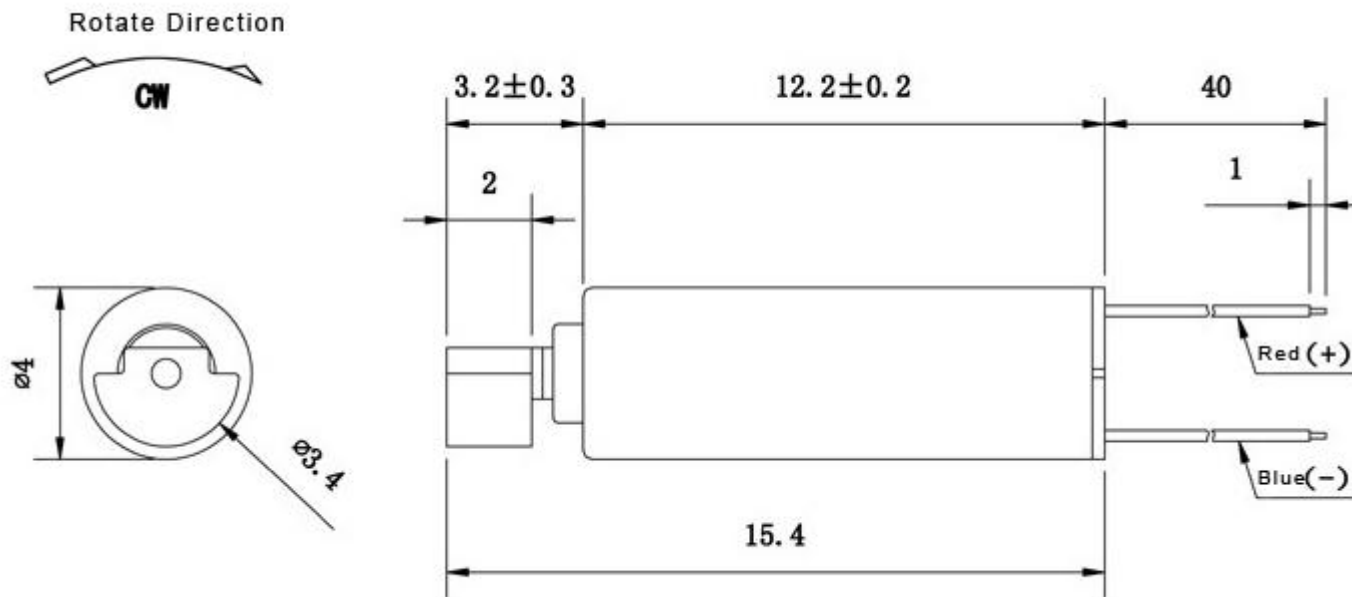


Model	Rated Voltage (V)	Start Voltage (V)	Rated Speed (Rpm)	Rated Current (mA)	Starting Current (mA)	Armature Resistance (Ohm)	Operating Voltage (V)
Z0410-JZ	3.0	1.1	12000±2500	75	125	13±20%	1.0~1.7



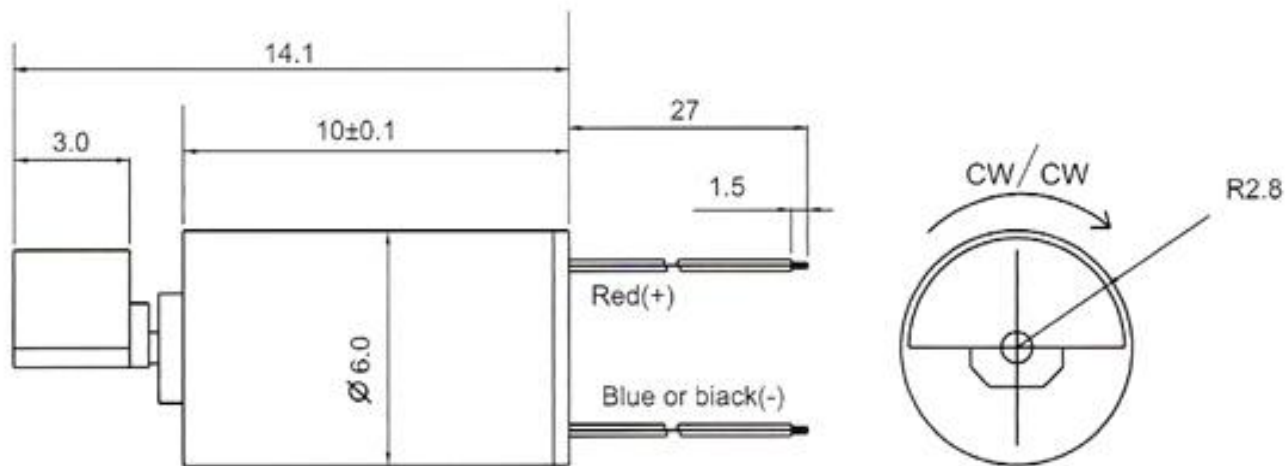


Model	Rated Voltage (V)	Start Voltage (V)	Rated Speed (Rpm)	Rated Current (mA)	Starting Current (mA)	Armature Resistance (Ohm)	Operating Voltage (V)
Z0412-DX	3.0	1.7	13000±2500	70	90	41	2.2~3.6



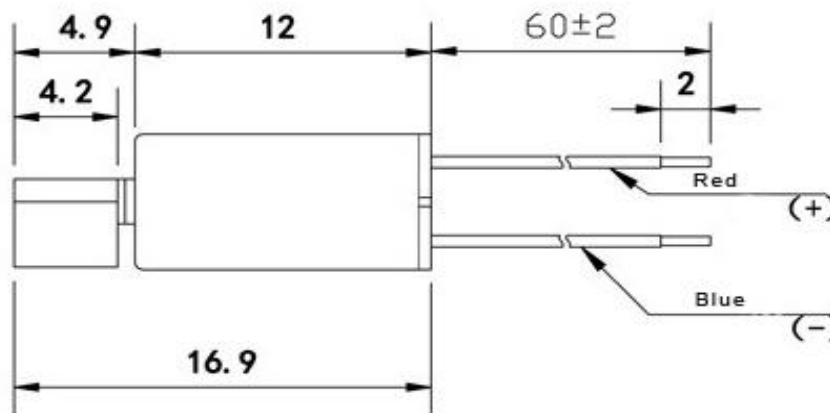
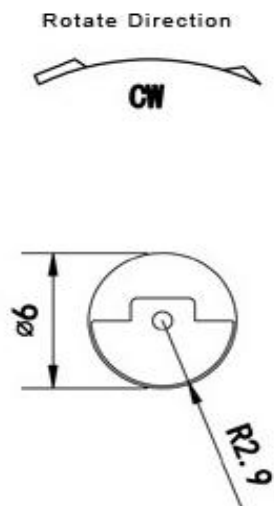


Model	Rated Voltage (V)	Start Voltage (V)	Rated Speed (Rpm)	Rated Current (mA)	Starting Current (mA)	Armature Resistance (Ohm)	Operating Voltage (V)
Z0610-DX	3.0	2.3	12000±3000	100	120	29	2.7~3.3



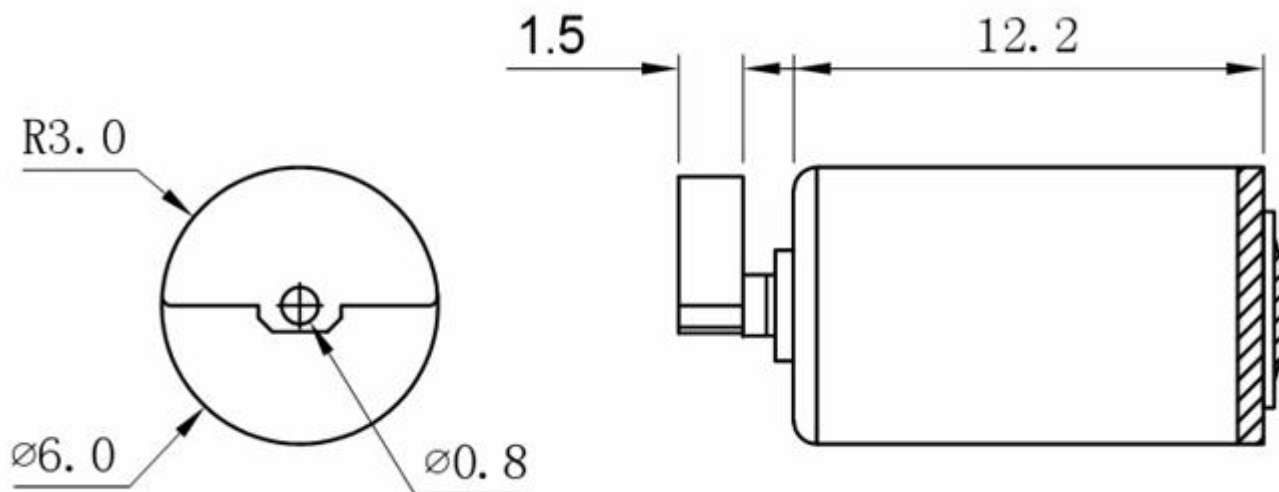


Model	Rated Voltage (V)	Start Voltage (V)	Rated Speed (Rpm)	Rated Current (mA)	Starting Current (mA)	Armature Resistance (Ohm)	Operating Voltage (V)
Z0612-DX	3.0	0.7	9000±2500	60	130	41	2.2~3.6





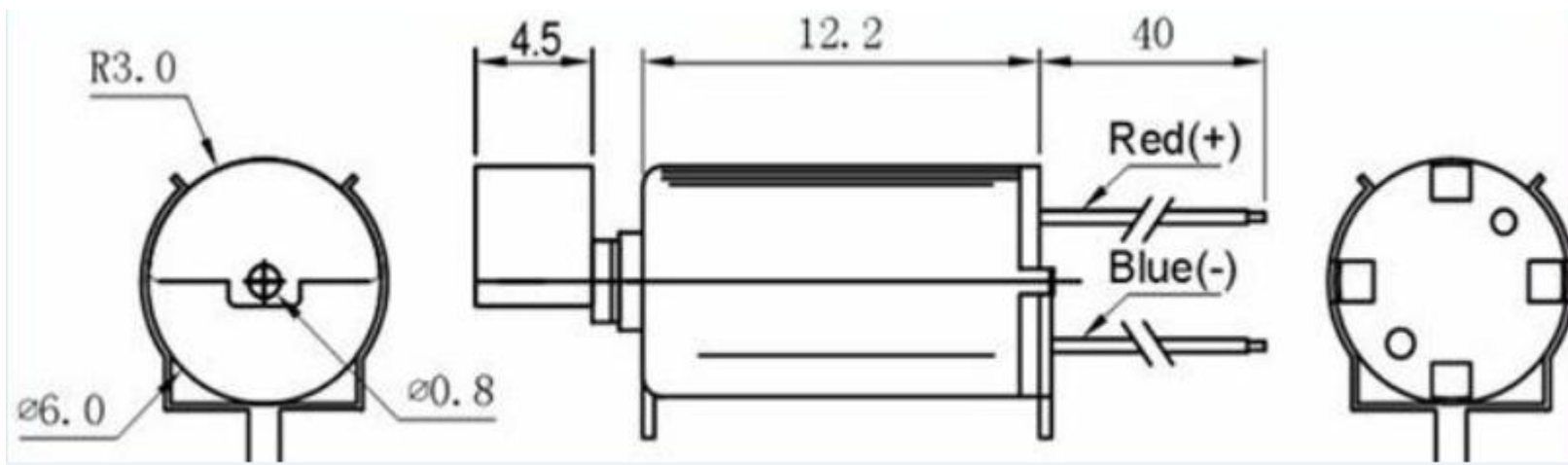
Model	Rated Voltage(V)	Start Voltage(V)	Rated Speed (Rpm)	Rated Current(mA)	Starting Current(mA)	Armature Resistance(Ohm)	Operating Voltage(V)
Z0612P	3.0	0.7	15000±2500	70	170	41	2.2~3.6





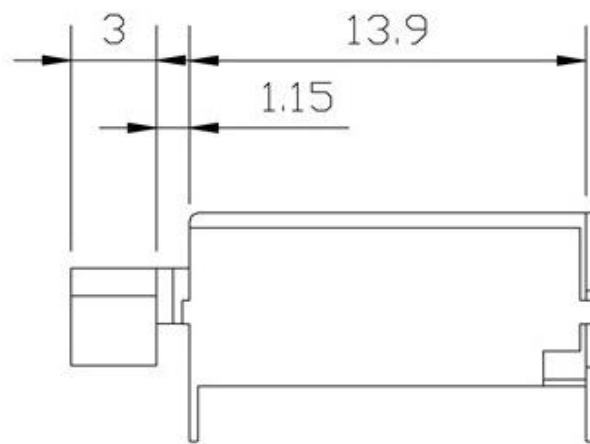
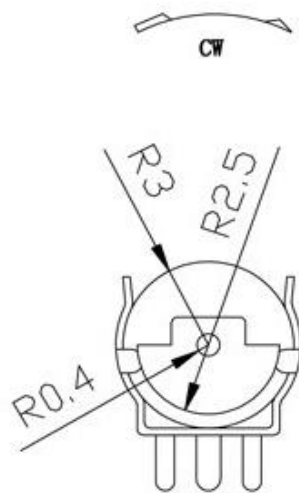


Model	Rated Voltage (V)	Start Voltage (V)	Rated Speed (Rpm)	Rated Current (mA)	Starting Current (mA)	Armature Resistance (Ohm)	Operating Voltage (V)
Z0612-DX-JZ	3.0	0.7	9000±2500	70	160	41	2.2~3.6



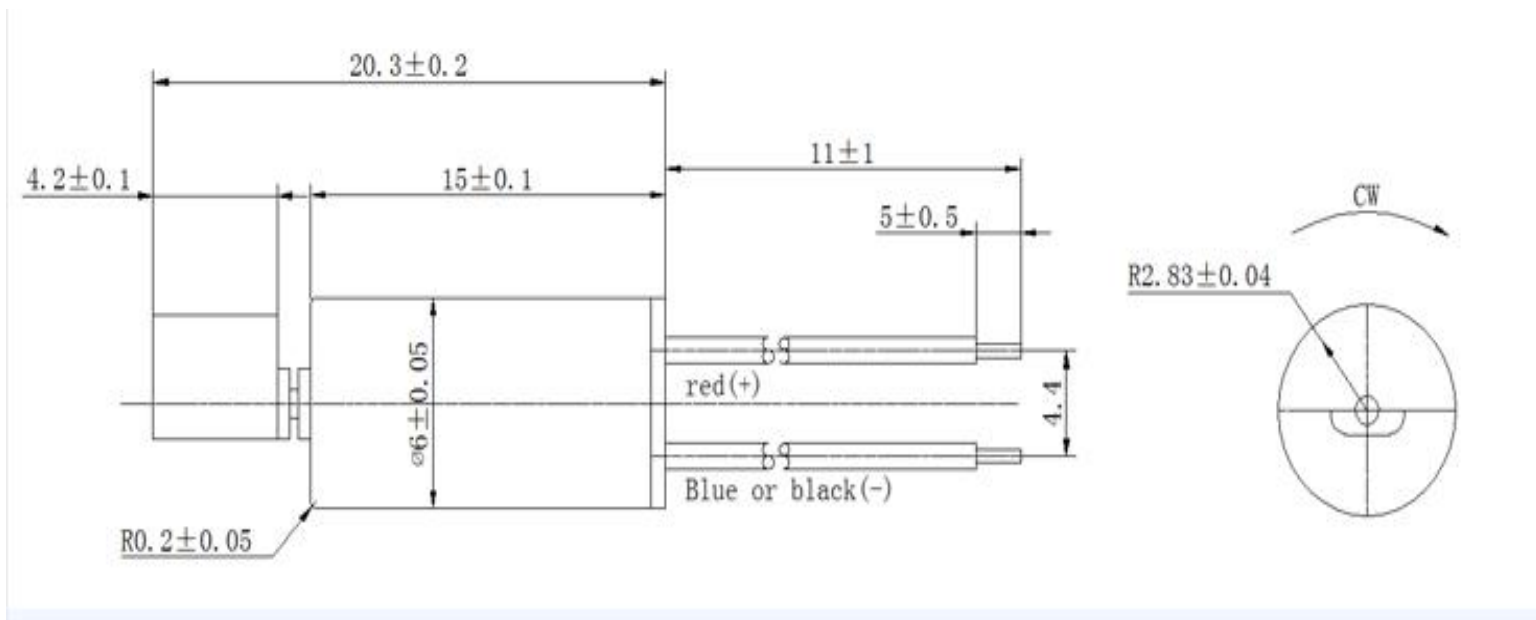


Model	Rated Voltage (V)	Start Voltage (V)	Rated Speed (Rpm)	Rated Current (mA)	Starting Current (mA)	Armature Resistance (Ohm)	Operating Voltage (V)
Z0614-JZ	3.0	1.7	10300±2500	30	136	41	2.2~3.6



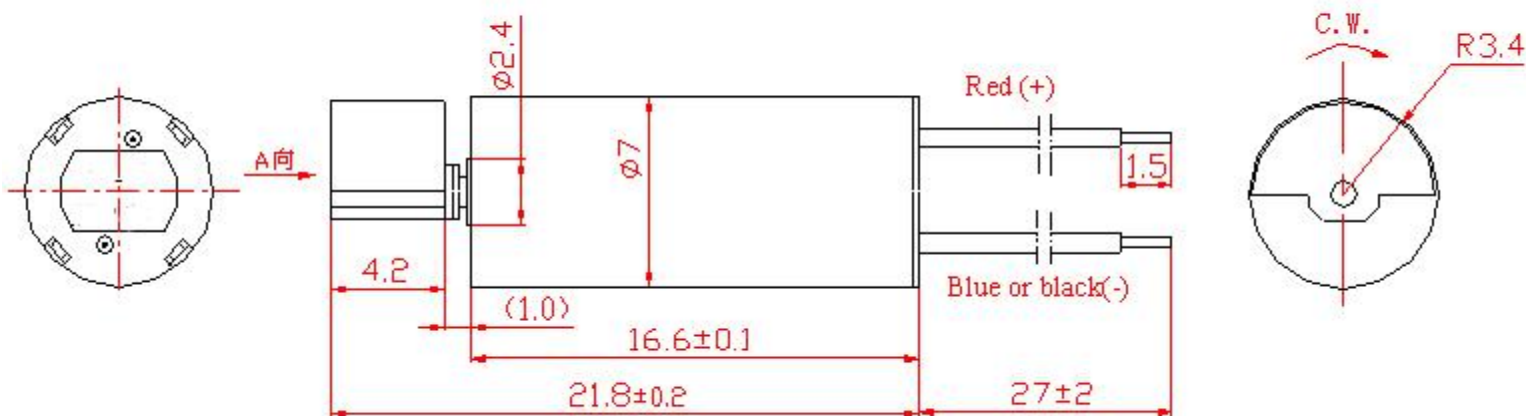


Model	Rated Voltage (V)	Start Voltage (V)	Rated Speed (Rpm)	Rated Current (mA)	Starting Current (mA)	Armature Resistance (Ohm)	Operating Voltage (V)
Z0615-DX	1.5	1	11500±2500	190	320	9.8	1.0~2.0



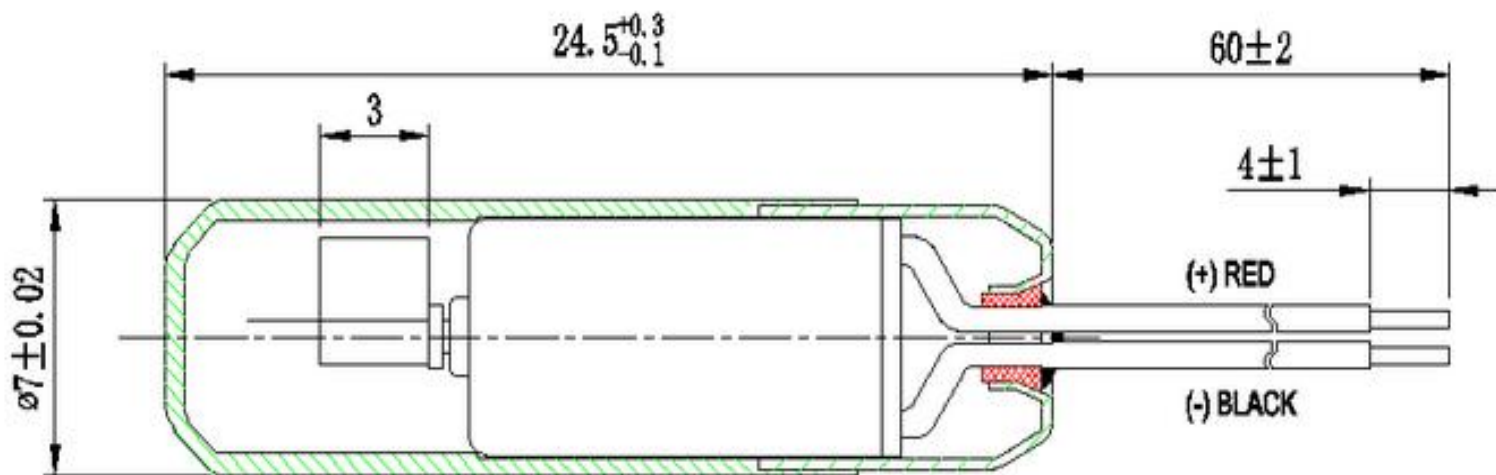


Model	Rated Voltage (V)	Start Voltage (V)	Rated Speed (Rpm)	Rated Current (mA)	Starting Current (mA)	Armature Resistance (Ohm)	Operating Voltage (V)
Z0716-DX	3.0	1.7	7500±2500	35	85	37	2.0~3.8



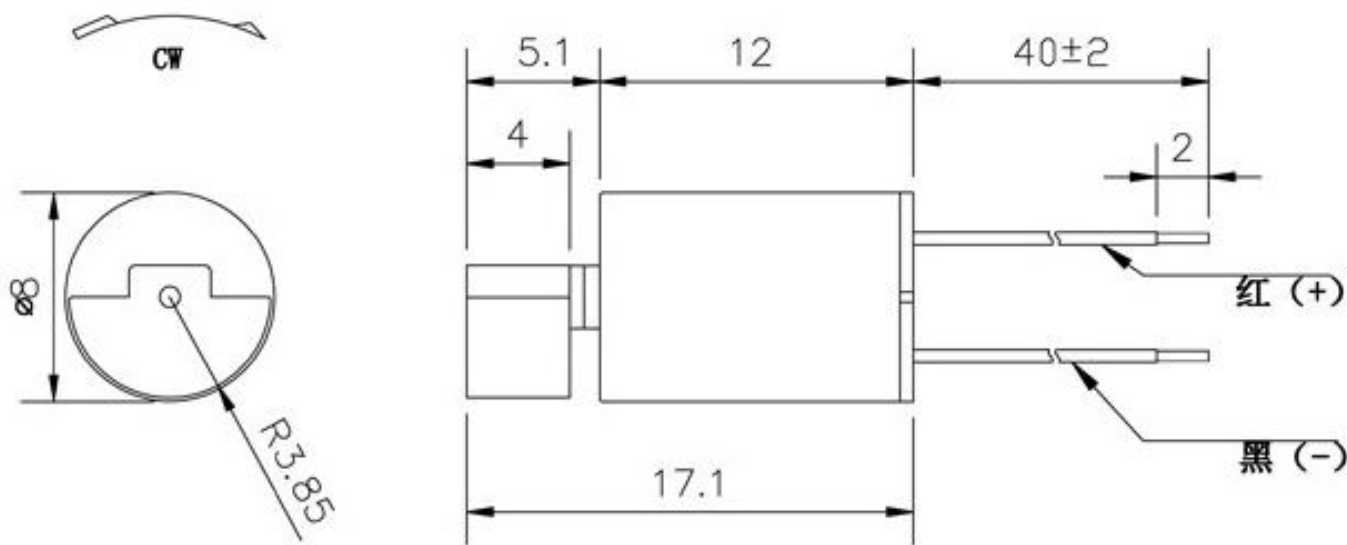


Model	Rated Voltage (V)	Start Voltage (V)	Rated Speed (Rpm)	Rated Current (mA)	Starting Current (mA)	Armature Resistance (Ohm)	Operating Voltage (V)
Z0724-FS	1.3	0.8	10000±2500	230	400	4.2	1.0~2.4



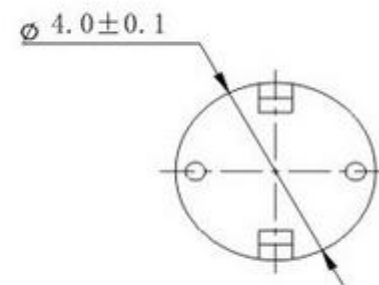
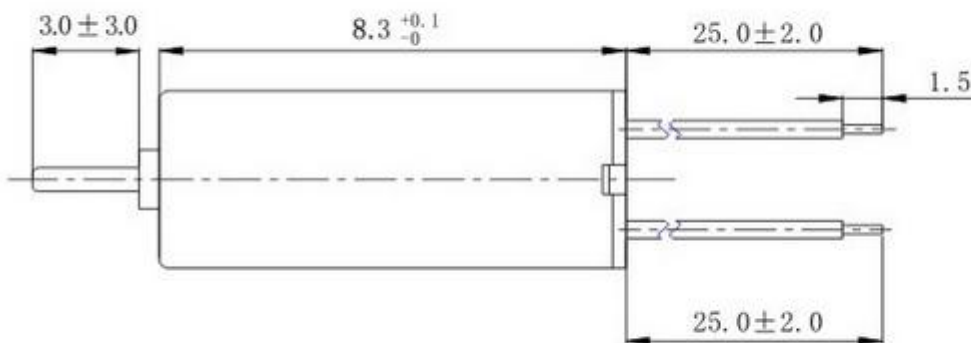


Model	Rated Voltage (V)	Start Voltage (V)	Rated Speed (Rpm)	Rated Current (mA)	Starting Current (mA)	Armature Resistance (Ohm)	Operating Voltage (V)
Z0812-DX	3.0	1.7	22800±2500	169	580		2.2~3.6





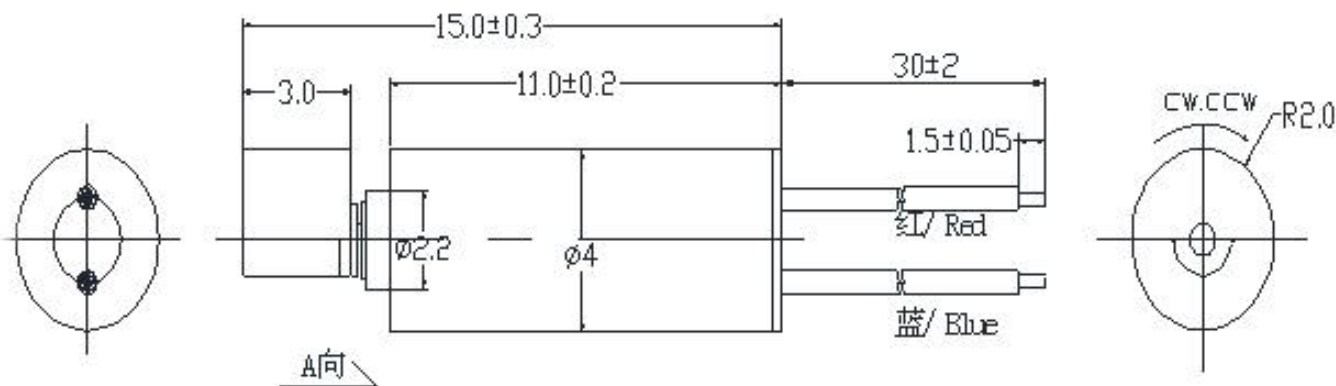
Model	Rated Voltage (V)	Working Voltage (V) DC	Rated Current (mA)	Rated Speed (r/min)	Stall Current (mA)	Start Voltage (V) DC
Q0408	3.0	1.5~7.5V	180	12400±3000	220	2.3



MOTOR OUTLINE(UNIT:MM)



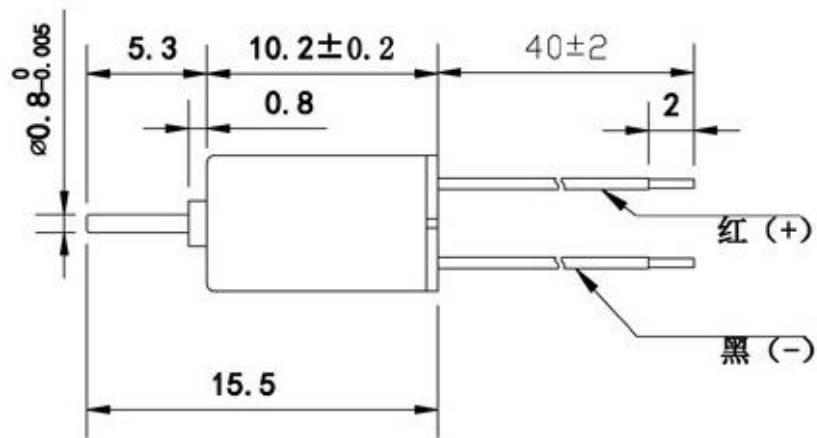
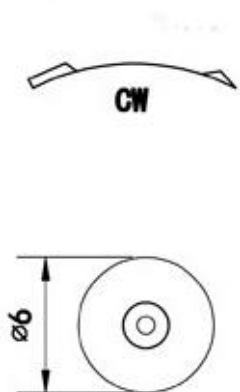
Model	Rated Voltage (V)	Working Voltage (V) DC	Rated Current (mA)	Rated Speed (r/min)	Stall Current (mA)	Start Voltage (V) DC	Terminal Resistance ( $\Omega$ )
Q0411	1.5	1.5~2.0	90	13000 $\pm$ 3000	110	1.2	13





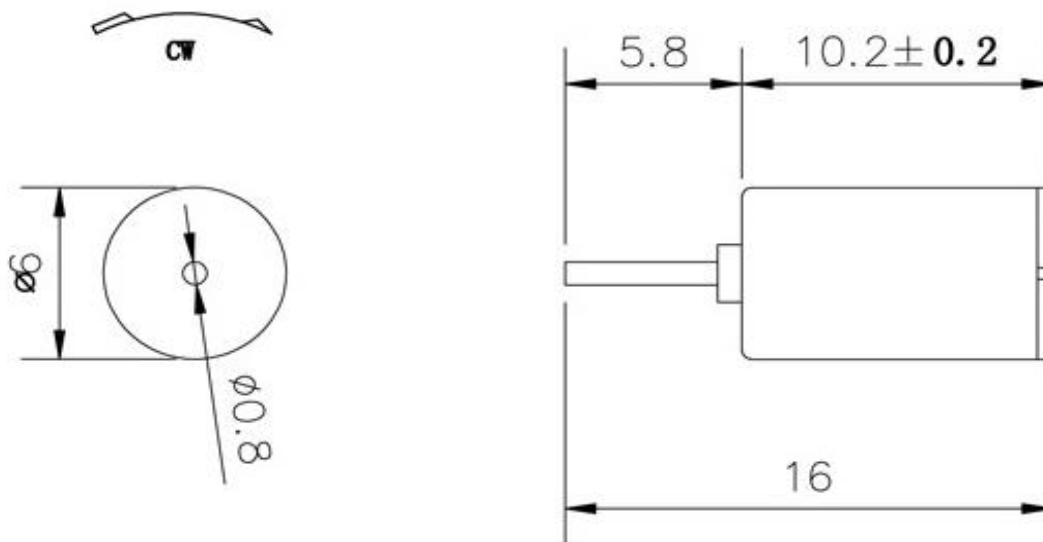


Model	Rated Voltage (V)	Working Voltage (V) DC	Rated Current (mA)	Rated Speed (r/min)	Stall Current (mA)	Start Voltage (V) DC	Terminal Resistance ( $\Omega$ )
Q0610	3.0	1.0~3.2V	$\leq 110$	$21000 \pm 3000$	$\leq 223$	$\leq 0.9$	$2.2 \pm 20\%$



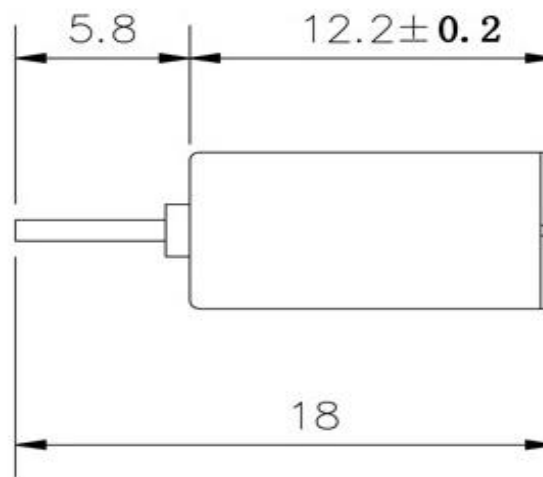
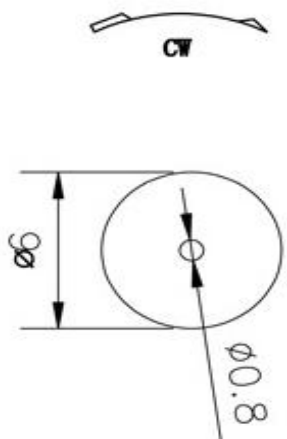


Model	Rated Voltage (V)	Working Voltage (V) DC	Rated Current (mA)	Rated Speed (r/min)	Stall Current (mA)	Start Voltage (V) DC	Terminal Resistance ( $\Omega$ )
Q0610P	3.0	1.0~3.2V	$\leq 110$	$21000 \pm 3000$	$\leq 223$	$\leq 0.9$	$2.2 \pm 20\%$



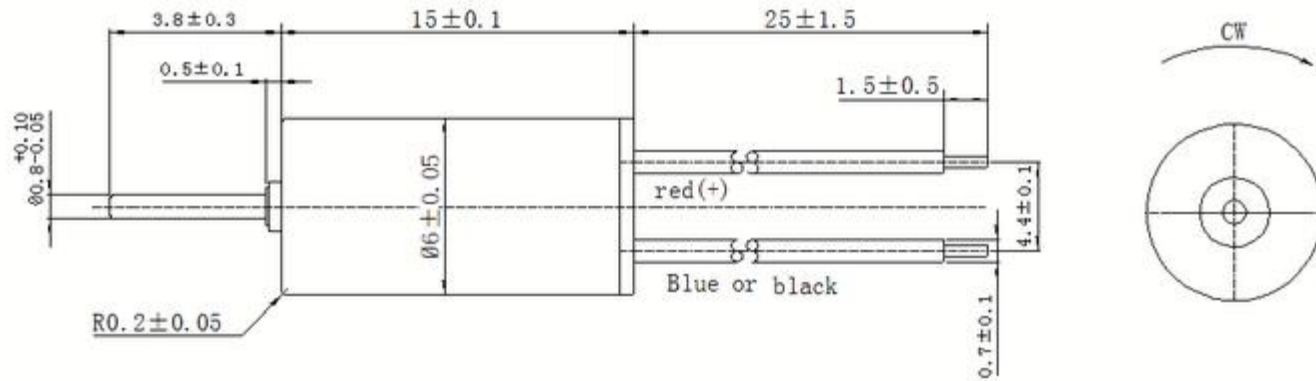


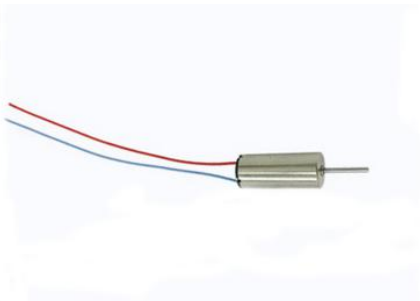
Model	Rated Voltage (V)	Working Voltage (V)DC	Rated Current (mA)	Rated Speed (r/min)	Stall Current (mA)	Start Voltage (V) DC	Terminal Resistance( $\Omega$ )
Q0612P	3.0	1.0~3.2V	$\leq 48$	$9000 \pm 3000$	$\leq 95$	$\leq 0.9$	$2.2 \pm 20\%$



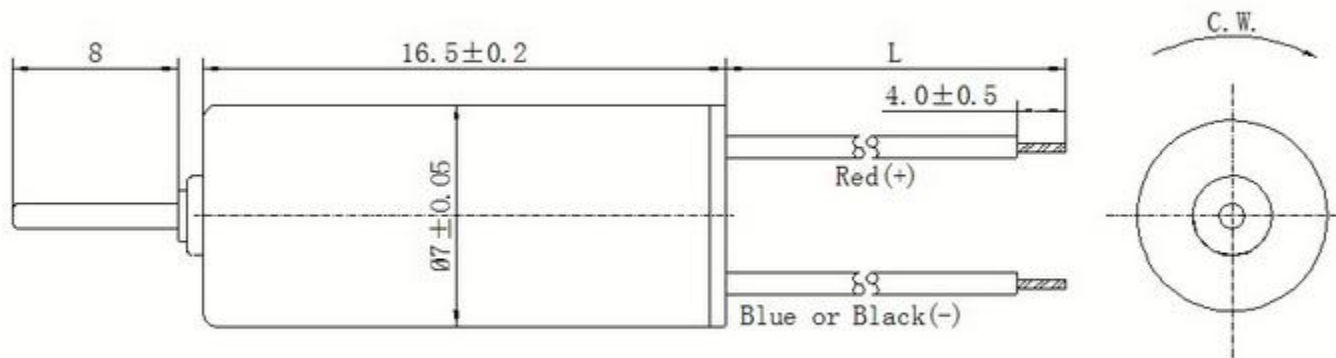


Model	Rated Voltage (V)	Working Voltage (V) DC	Rated Current (mA)	Rated Speed (r/min)	Stall Current (mA)	Start Voltage (V) DC	Terminal Resistance ( $\Omega$ )
Q0615	2.4V	1.0~3.2V	$\leq 100$	$26000 \pm 3000$	$\leq 1200$	$\leq 0.9$	$2.2 \pm 20\%$



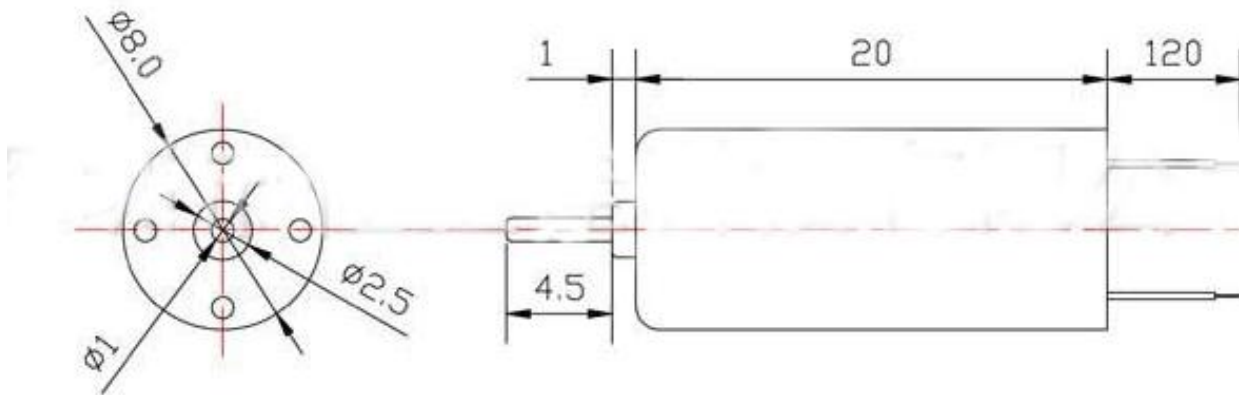
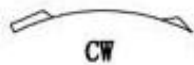


Model	Rated Voltage (V)	Working Voltage (V) DC	Rated Current (mA)	Rated Speed (r/min)	Stall Current (mA)	Start Voltage (V) DC	Terminal Resistance ( $\Omega$ )
Q0716	1.3-3.0	1.0-4.0	$\leq 1500$	6000~30000		1	$0.7 \pm 0.1$



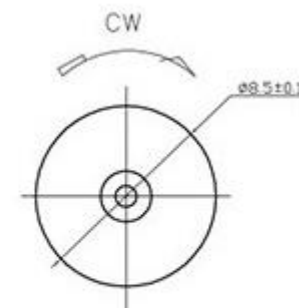
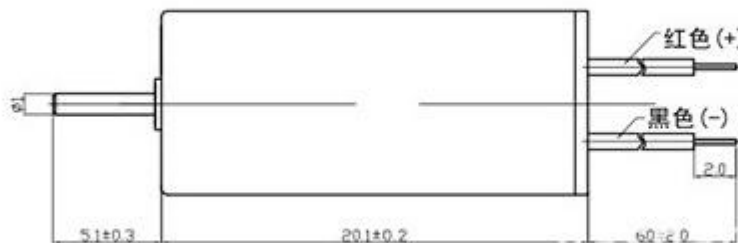
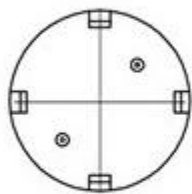


Model	Rated Voltage (V)	Working Voltage (V) DC	Rated Current (mA)	Rated Speed (r/min)	Stall Current (mA)
Q0820	3.7	1.5-4.2	≤1300	57000	2000



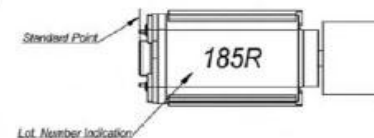
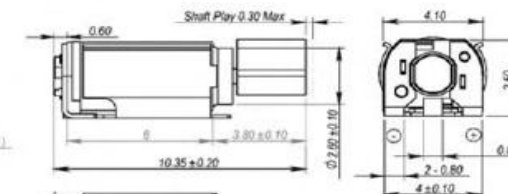
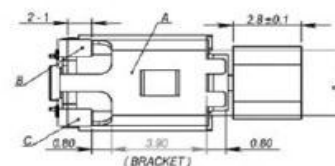
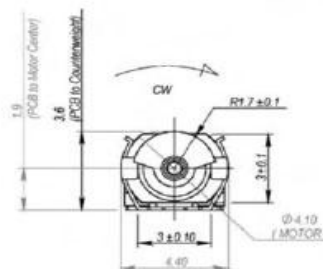
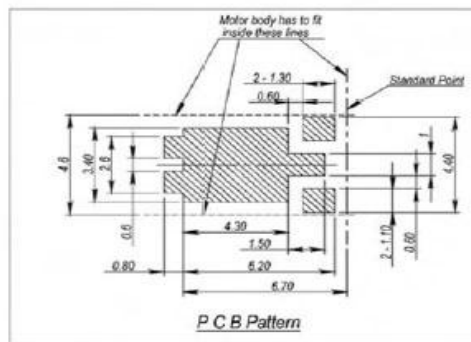
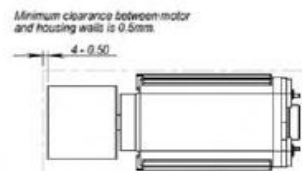
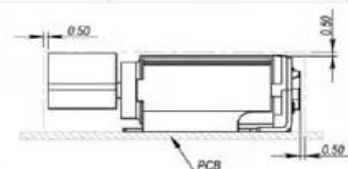


Model	Rated Voltage (V)	Working Voltage (V) DC	Rated Current (mA)	Rated Speed (r/min)	Stall Current (mA)
Q8520	1.5-4.2	1.5-4.2	≤1300	36000	4400





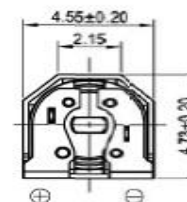
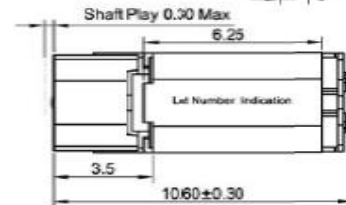
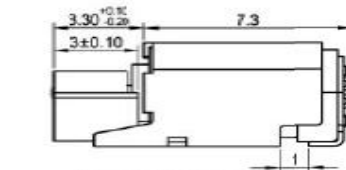
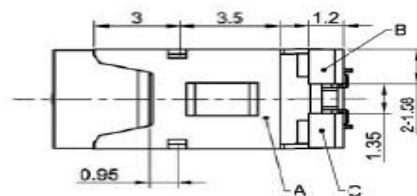
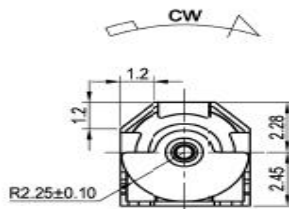
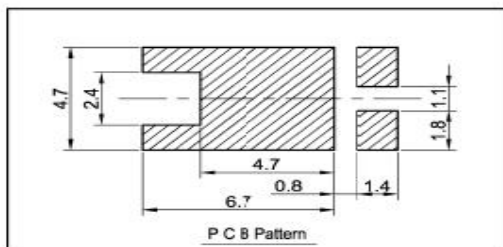
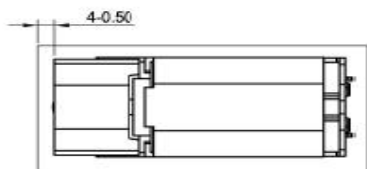
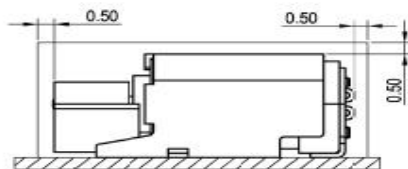
Model	Rated Voltage (V)	Start Voltage (V)	Rated Speed (Rpm)	Rated Current (mA)	Starting Current (mA)	Armature Resistance (Ohm)	Operating Voltage (V)
T0304	3.0	2.7	14000±2500	75	90	33	2.3~3.2





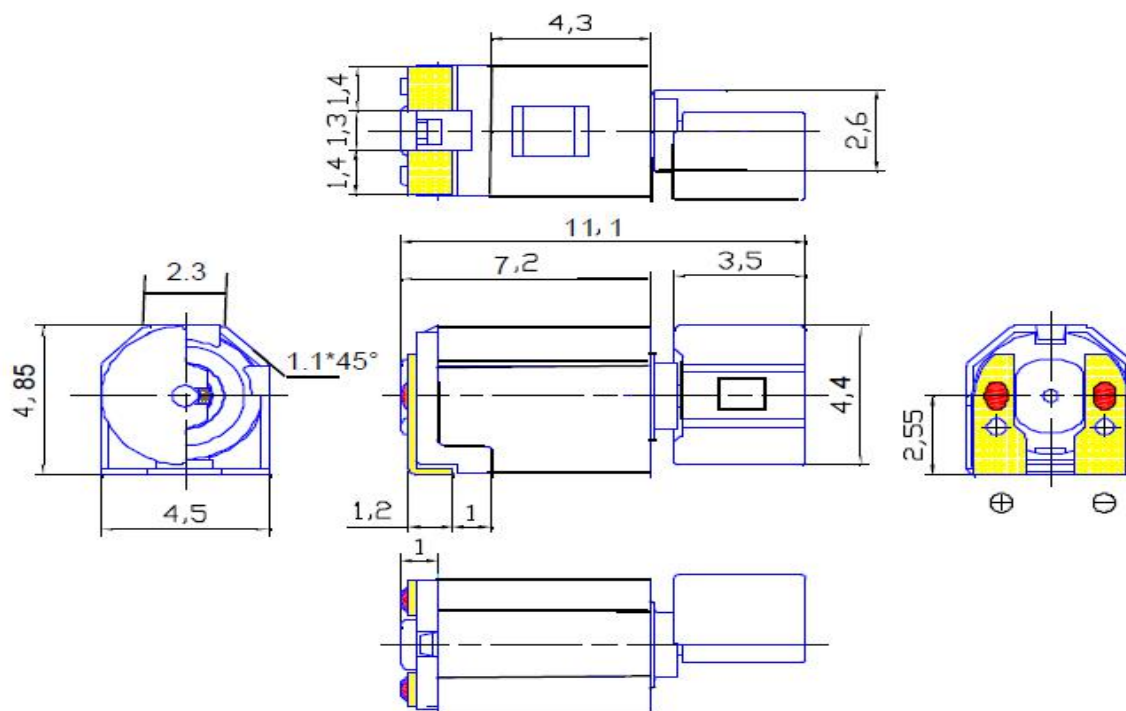


Model	Rated Voltage (V)	Start Voltage (V)	Rated Speed (Rpm)	Rated Current (mA)	Starting Current (mA)	Armature Resistance (Ohm)	Operating Voltage (V)
T0406	3.0	2.4	10000±2500	100	120	28	2.6~3.4





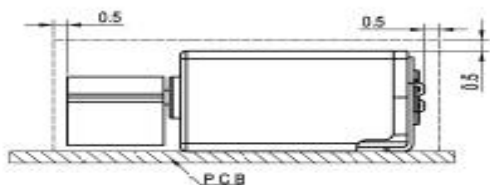
Model	Rated Voltage (V)	Start Voltage (V)	Rated Speed (Rpm)	Rated Current (mA)	Starting Current (mA)	Armature Resistance (Ohm)	Operating Voltage (V)
T0406-11.1	3.0	2.6	10000±2500	100	120	28.5	2.6~3.4



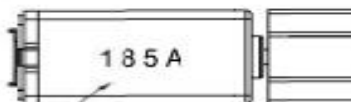
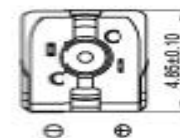
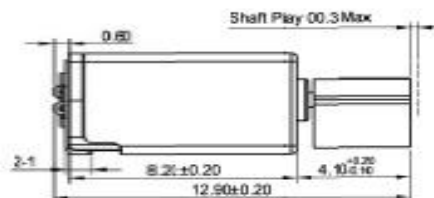
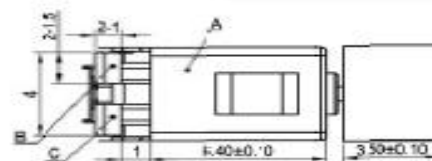
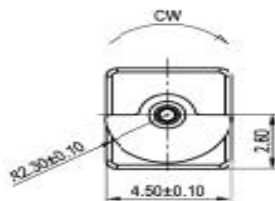
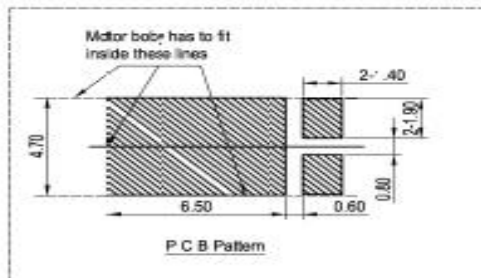
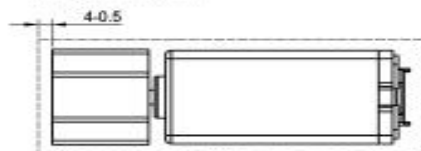
All dimensions in mm, tolerance: ± 0.13



Model	Rated Voltage (V)	Start Voltage (V)	Rated Speed (Rpm)	Rated Current (mA)	Starting Current (mA)	Armature Resistance (Ohm)	Operating Voltage (V)
T0408-35	3.0	2.4	10500±2500	85	100	36	2.6~3.6



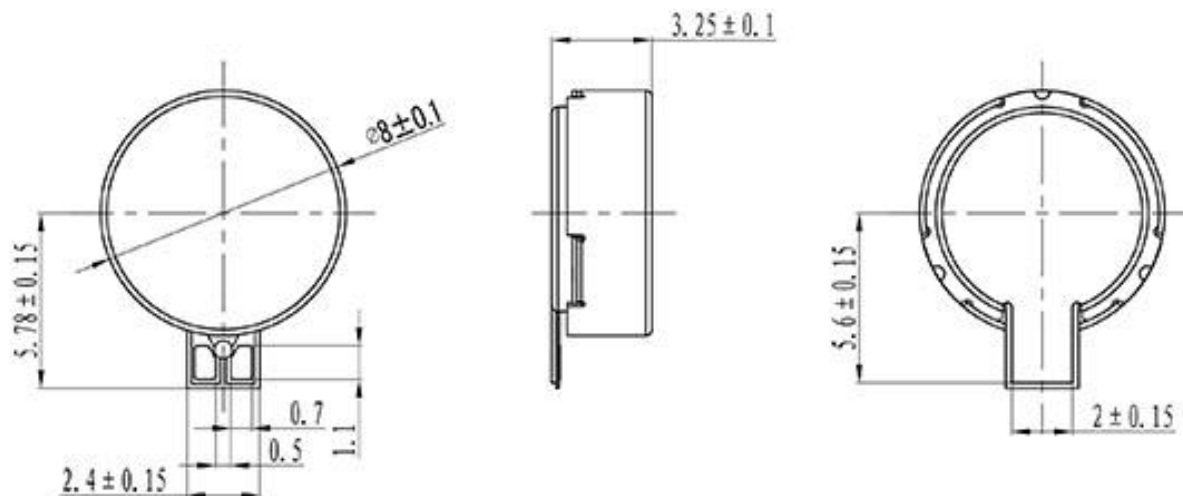
Minimum clearance between motor and housing walls is 0.5mm



Lot Number Indicator

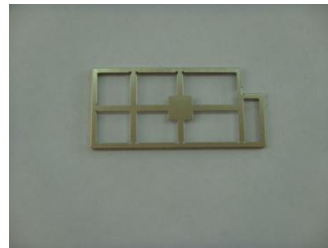
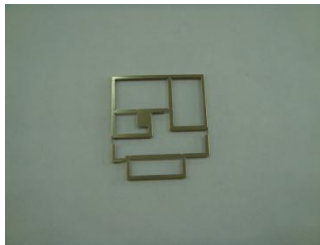
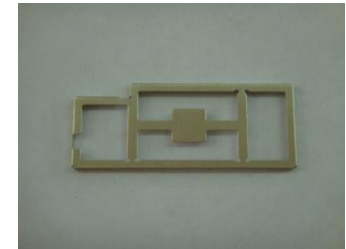
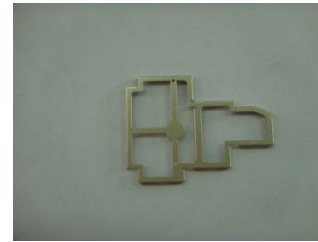
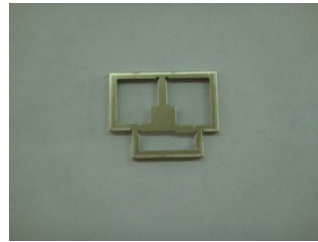
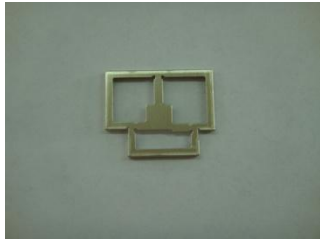


Model	Rated Voltage (V)	Start Voltage (V)	Rated Speed (Rpm)	Rated Current (mA)	Starting Current (mA)	Armature Resistance (Ohm)	Operating Voltage (V)
L0832-FPC	1.8			80		10	0.1-1.8





## Phone Shield

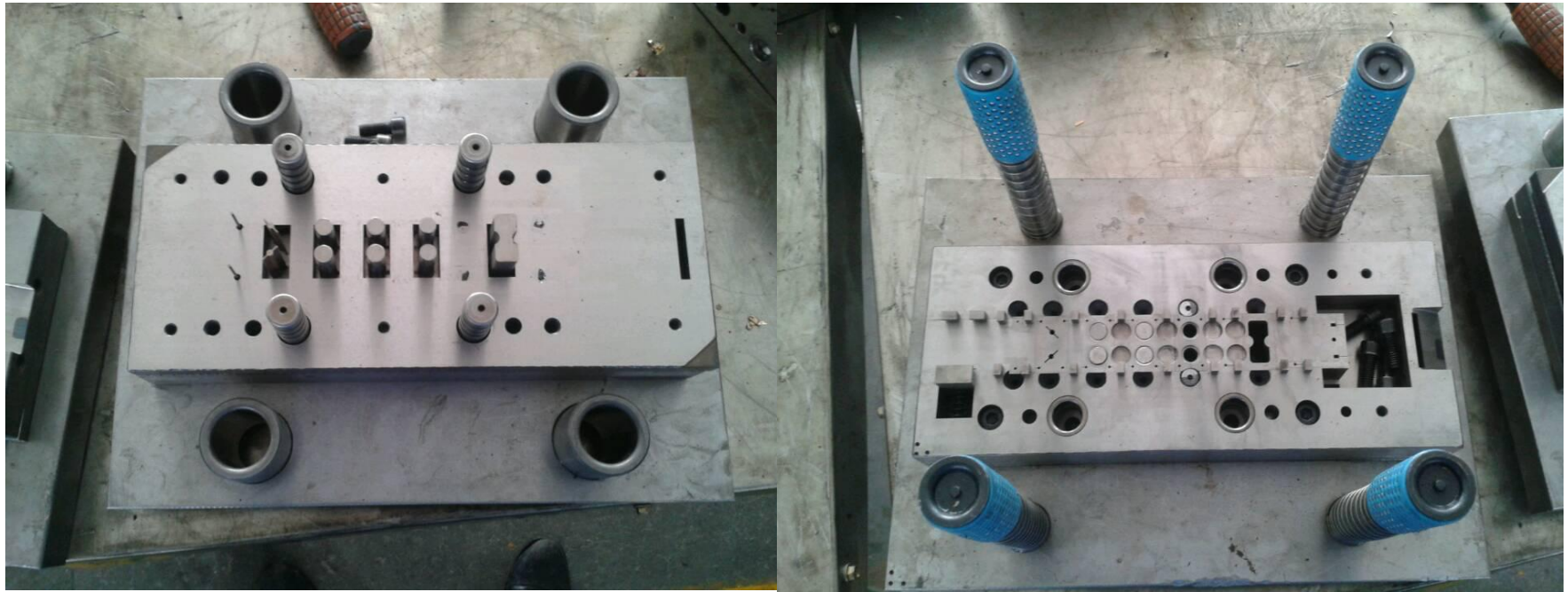


# Switch





Mould





## Vibration Motor Specialist Around You

乐清市淡溪吉飞机电厂

Add:Maoyang,Hongqiao,Yueqing,Zhejiang,China 325608

Tel:86-13968786644 Fax:86-577-62310509

Email: info@vibrationmotor.net

Website: <http://www.vibrationmotor.net>